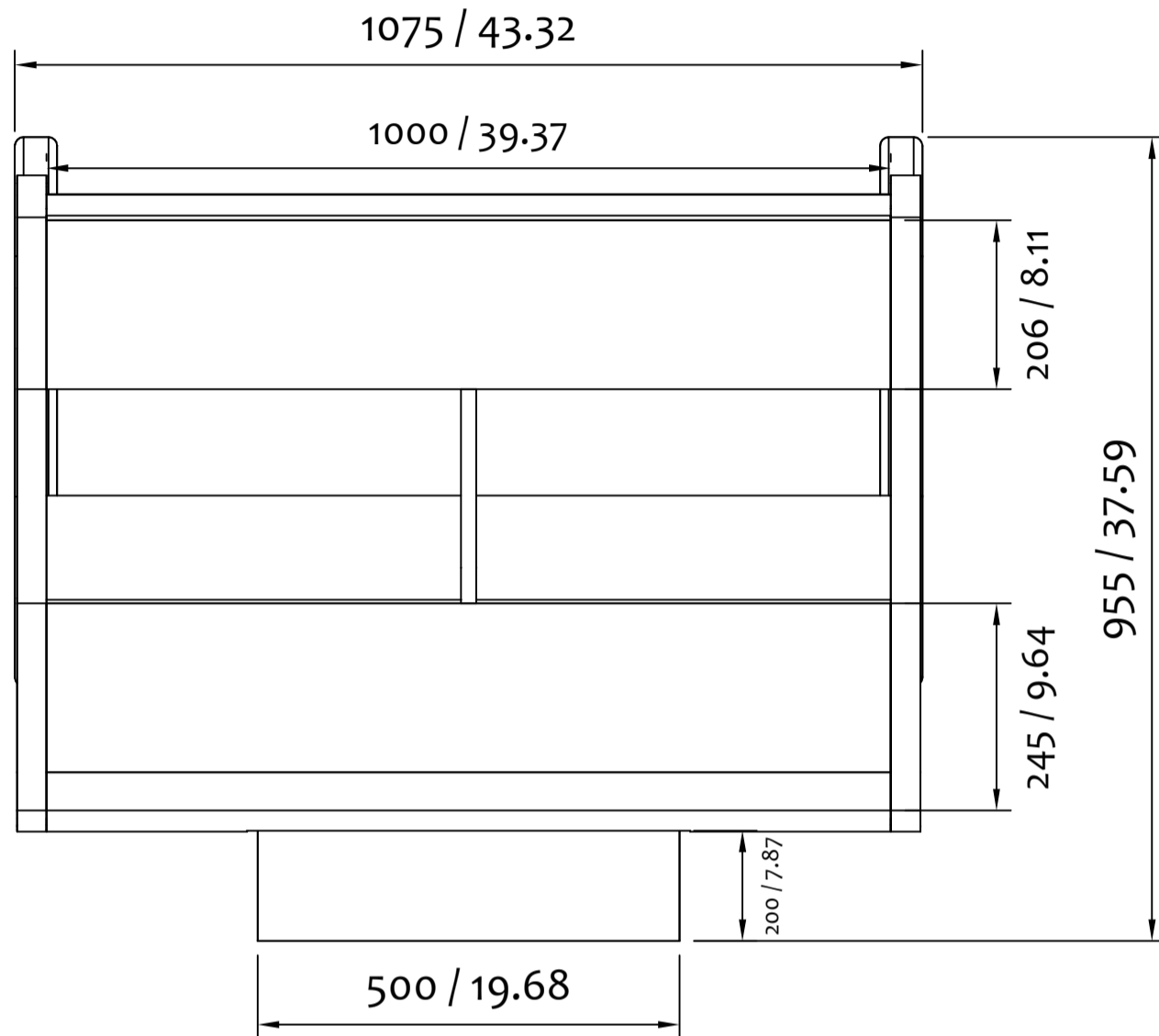
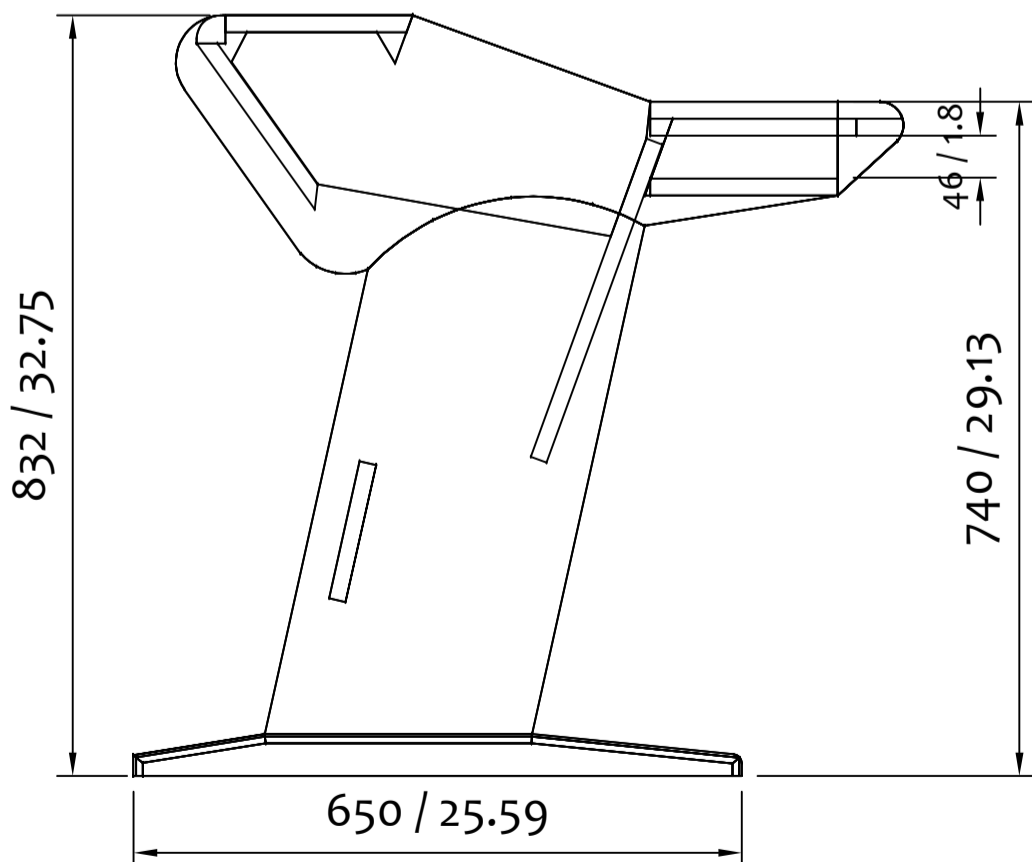


## Technical Plan (in mm/inch)

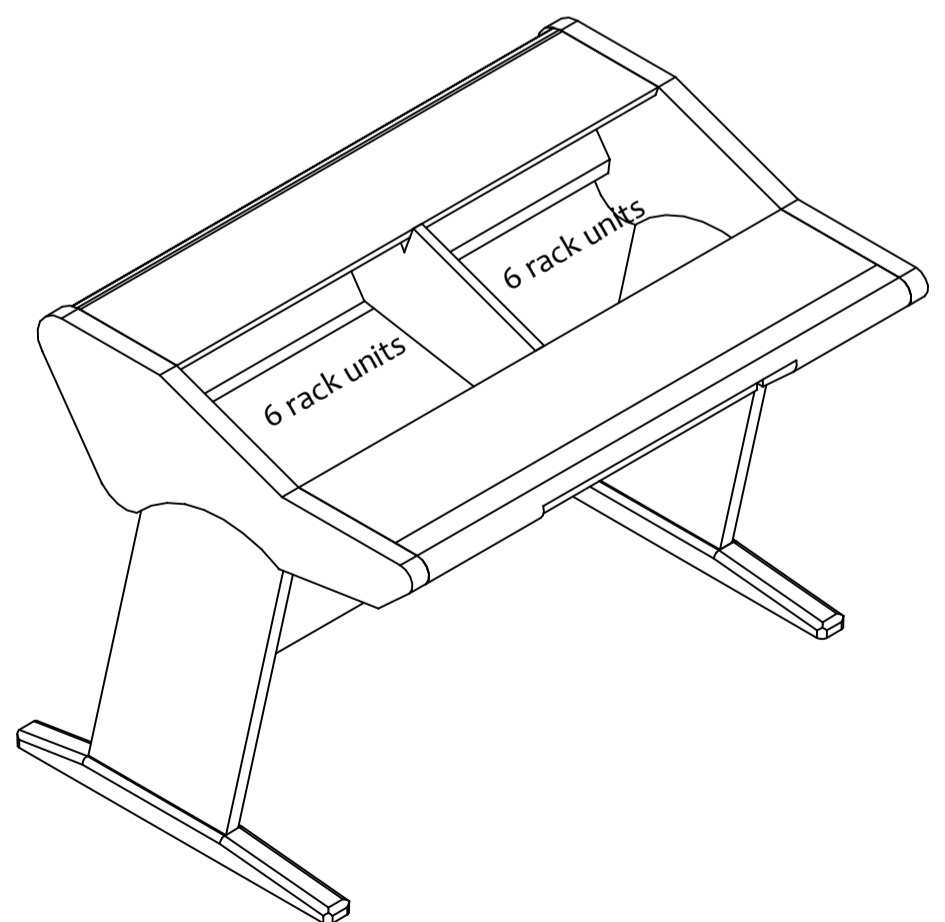
TOP VIEW



SIDE VIEW

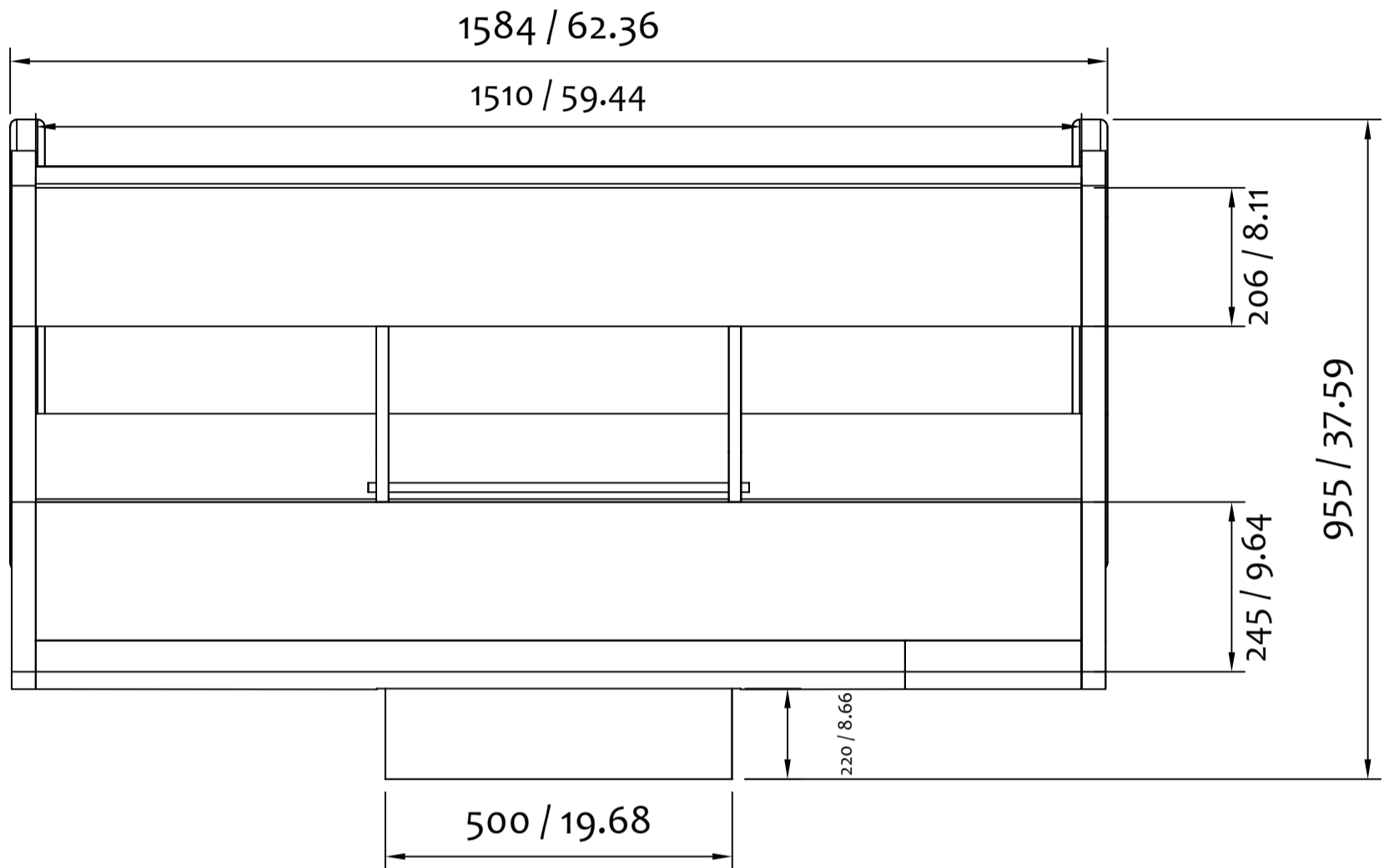


DIAGONAL VIEW

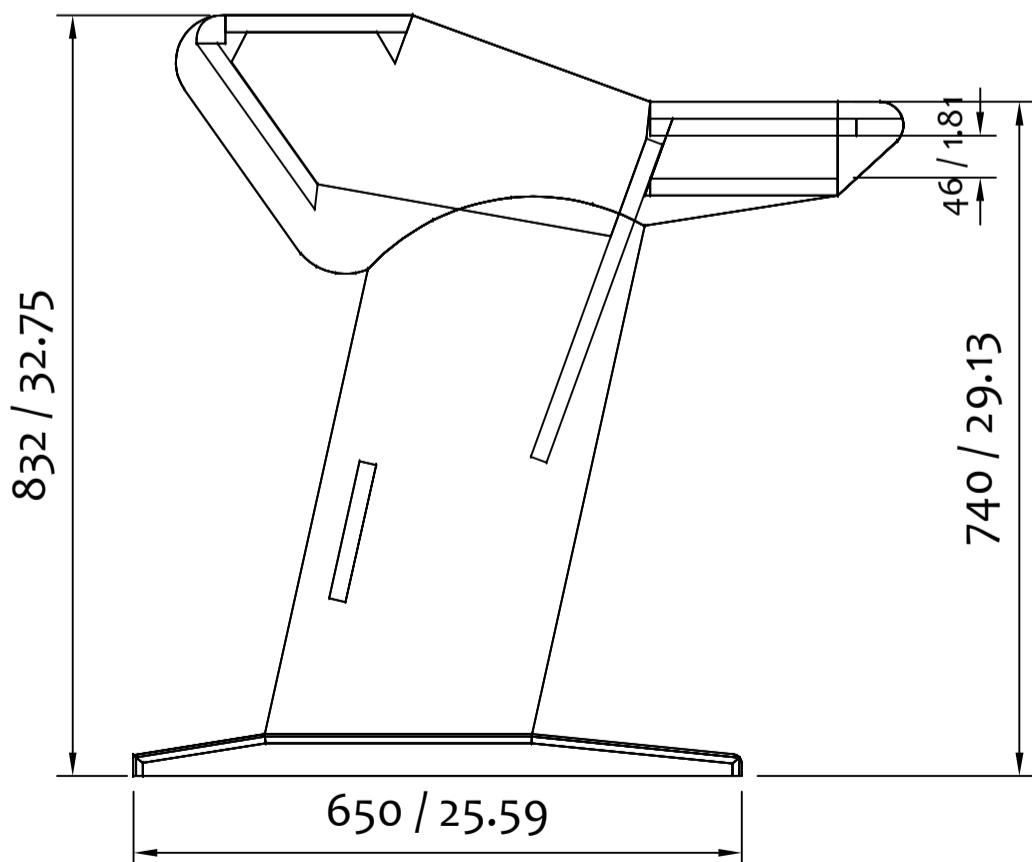


### Technical Plan (in mm/inch)

TOP VIEW



SIDE VIEW



DIAGONAL VIEW

